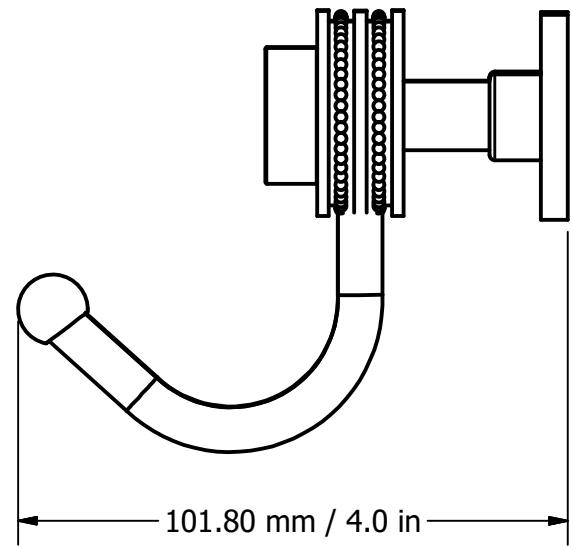
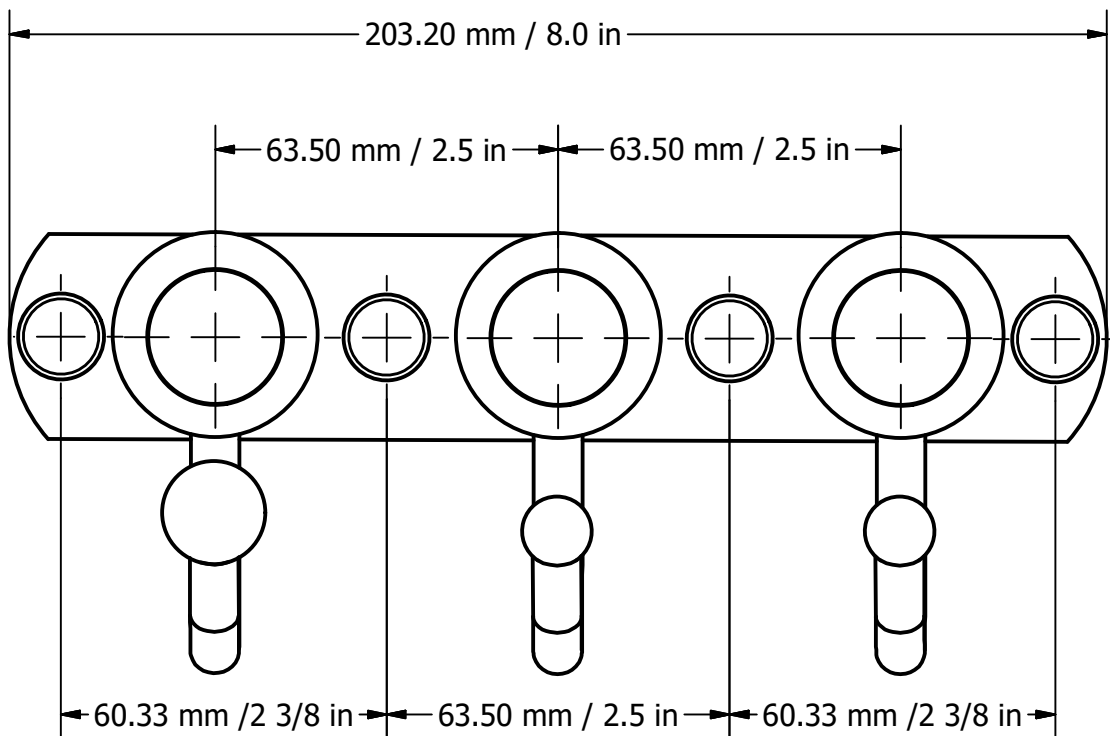
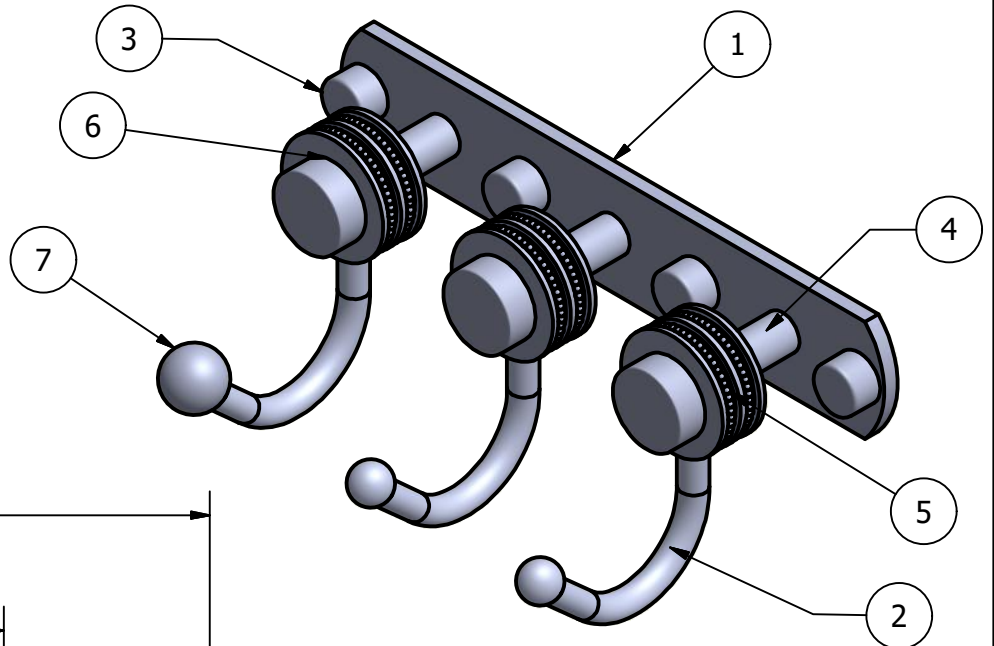


PARTS LIST			
ITEM	PART NUMBER	DESCRIPTION	QTY
1	BPHK-8	DOUBLE HOOK PLATE	1
2	HKHK	HOOK	3
3	CARD-58	MOUNTING CAP	4
4	PSRD8-12	POST	3
5	RGDTT	CONNECTOR	3
6	Card-1	FRONT CAP	3
7	BL1T-12	END BALL	3

APPROVED FOR PRODUCTION

By: RICHARD PAUL
Date: 9-8-17



UNLESS OTHERWISE SPECIFIED	
.X	± .3mm
.XX	± .15mm
.XXX	± .008mm



DRAWN	9-3-17	IM	MATERIAL:	BRASS	FINISH	TBD
CHECKED	9-3-17	P.D.	DESCRIPTION:		QTY	TBD
APPROVED	9-3-17	R.A.	Mercury Collection 3 Position Multi Hook with Dotted Accent		DRAWING NO.	
					920D-3	
					SCALE	1.5:1
					SHEET: 1 OF 1	REV